

RECYCLING PASSPORT

Recycling Product Information.

Mediant 1000 VoIP Gateway - Mid plain PCB

ID

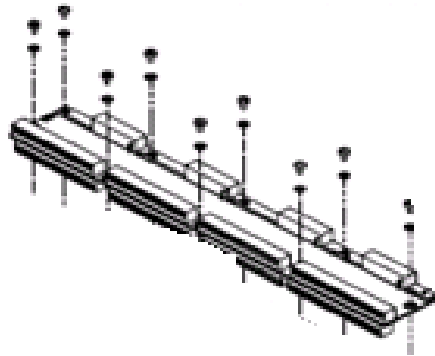
Created

1 Manufacturer

Name of Company	AudioCodes
Adress	1 Hayarden Street Airport City Lod 70151
City / Zip Code	Ben Gurion Airport
Country	Israel

2 Equipment Information

Product figure



Brandname	AudioCodes
Product type	Mediant1000 VoIP Gateway - Mid plain PCB
Model number	M1K-CMP- Mid-plane
Equipment net weight	1.1Kg
Gross weight (with packaging)	1.4Kg
Equipment dimensions	300x47x31mm

Compiled by

RECYCLINGPASSPORT

Recycling Product Information.

Mediant 1000 VoIP Gateway - Mid plain PCB

ID

Created

2 Equipment Information (Cont.)

Safety-Marks and other Marks on the Product Label

Restricted Substances

Batteries

Battery	YES	NO	X
---------	-----	----	---

Amount:

System of Battery:

Type of

Battery: **BATTERY LITHIUM CR-1225 3V 38mAH**

Weight of Battery [g]:

Form of

Battery: **Coin cell battery**

Disposal of used Electrical & Electronic Equipment

(Applicable in the European Union and other European countries with separate collection system)

This symbol on the product, or in the manual and in the warranty, and/or on its packaging indicates that this product shall not be treated as household waste.

For more detailed information about take-back and recycling of this product, please contact your local service organization. By ensuring this product is disposed of correctly, you will help prevent potential negative consequences for the environment and human health, which could otherwise be caused by inappropriate waste handling of this product. The recycling of materials will help to conserve natural resources.

If your equipment contains easy removable batteries or accumulators please dispose these separately according to your local requirements.



Manufacturer

AudioCodes
1 Hayarden Street
Airport City Lod 70151
Ben Gurion Airport
Israel

Compiled by

RECYCLINGPASSPORT

Recycling Product Information.

Mediant 1000 VoIP Gateway - Mid plain PCB

ID

Created

3 Recycling Information

Product contains material / components under or with

	NO	If YES specify (location see picture on page 4)
1 Pressure	/	
2 Liquids (please specify below)	/	
3 Gasses (please specify below)	/	
4 "Hidden" mechanical springs or other harmful equivalents	/	
5 Risk for explosion during treatment	/	
6 Risk as fire hazard during treatment	/	
7 Other risks (please specify below)	/	
8 ...	/	

Product contains material / components to be removed (marked red on page 4)

(acc. to Directive 2002/96/EC, Annex 2)

9 Polychlorinated biphenyls (PCB) containing capacitors	/	
10 Mercury containing components, such as switches or backlighting lamps	/	
11 Batteries	/	
12 Printed circuit boards with surfaces greater than 10 square centimetres	1	1
13 Toner cartridges, liquid and pasty, as well as colour toner	/	
14 Plastic containing brominated flame retardants	/	
15 Asbestos waste and components which contain asbestos	/	
16 Cathode ray tubes	/	
17 Chlorofluorocarbons (CFC), hydrochlorofluorocarbons (HCFC) or hydrofluorocarbons (HFC), hydrocarbons (HC)	/	
18 Gas discharge lamps	/	
19 Liquid crystal displays (together with their casing where appropriate) of a surface greater than 100 square centimetres and all those back-lighted with gas discharge lamps	/	
20 External electric cables	/	
21 Components containing refractory ceramic fibres as described in Commission Directive 97/69/EC of 5 December 1997 adapting to technical progress Council Directive 67/548/EEC relating to the classification, packaging and labeling of dangerous substances	/	
22 Components containing radioactive substances with the exception of components that are below the exemption thresholds set in Article 3 of and Annex I to Council Directive 96/29/Euratom of 13 May 1996	/	
23 Electrolyte capacitors containing substances of concern (height > 25 mm, diameter > 25 mm or proportionately similar volume)	/	

Others

26 Berylliumoxide, Beryllium and its compounds		
27 Cadmium and its compounds		
28		
29 ...		

Remarks

To topic No.	Specification	To topic No.	Specification

Manufacturer

AudioCodes
1 Hayarden Street
Airport City Lod 70151
Ben Gurion Airport
Israel

Compiled by

RECYCLINGPASSPORT

Recycling Product Information.

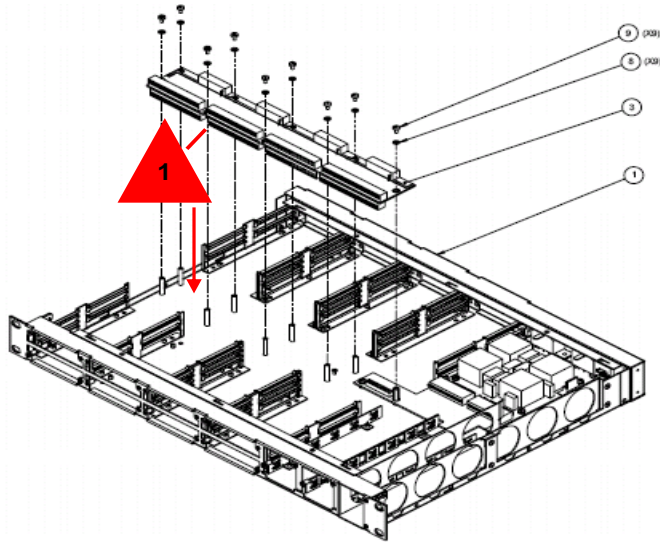
Mediant 1000 VoIP Gateway - Mid plain PCB

ID

Created

4 Materials and components, which have to be removed and treated separately

> Symbol ▲



Nr.	Components	Material	Details
1	Mid plain PCB	PWB	Unscrew 9 screws

Manufacturer AudioCodes
1 Hayarden Street
Airport City Lod 70151
Ben Gurion Airport
Israel

Compiled by