

| | | | |
|-----------------------|--|----------|---------------|
| Dismantling Procedure | | | |
| Recycling ID | | | |
| Name: | Recycling Product Information for AudioCodes Mediant 8XX | | |
| Document p/n: | A91001-005 | REV. A02 | ACL P/N : N/A |
| Directive 2012/19/EU | | | |

| Release and Revision Record | | | |
|--|------------------|----------------------|-------------|
| New Procedure File <input type="checkbox"/> | | | |
| Updated Procedure File <input checked="" type="checkbox"/> | | | |
| Edited: Arnon Ben Aharon | | Approved: Sason Atia | |
| Rev | Description | Date Approved | Approved By |
| A01 | Initial Release | 01/07/2012 | Sason Atia |
| A02 | Update Directive | 24/10/2017 | Sason Atia |
| | | | |
| | | | |
| | | | |

| | | | |
|------------------|--|-----------|-----|
| Document Type: | Dismantling Procedure | | |
| Document Name: | Recycling Product Information AudioCodes Mediant 8XX | | |
| Document Number: | A91001-005 | Revision: | A02 |

General

Directive 2012/19/EU of the European Parliament and of the Council on Waste Electrical and Electronic Equipment (WEEE) requires the manufacturers to provide To Whom It May Concern information about preparation for re-use, recycle and treatment of their products.

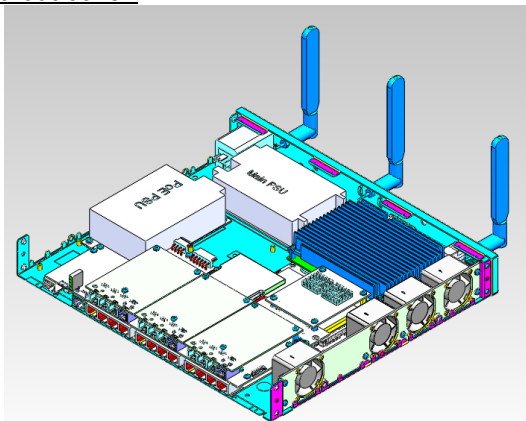
Manufacturer details:

Company: AudioCodes
Address: 1 Hayarden Street, Airport City, LOD 70100, ISRAEL.

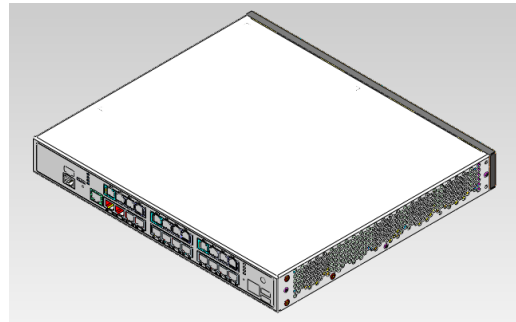
Equipment Information:

Product name: Mediant800 / Mediant850/ MP500

Product view:
Without cover:



With cover:



Equipment net weight: 3Kg approximately (depend on the product's configuration)

Equipment dimensions: 45X310X350mm

| | | | |
|------------------|--|-----------|-----|
| Document Type: | Dismantling Procedure | | |
| Document Name: | Recycling Product Information AudioCodes Mediant 8XX | | |
| Document Number: | A91001-005 | Revision: | A02 |

Equipment Information:

- Safety-Marks and other marks on the product label: CE
- Restricted Substances: None
- Batteries (Yes/No; Type; Weight): None

Disposal of used Electrical & Electronic Equipment:

- Applicable in the European Union and in other European countries with separate collection system.
- The symbol below, when posted on the product or in the product’s manual and/or on its packaging box indicates that this product shall not be treated as household waste.
- By ensuring this product is disposed-of correctly, you will help preventing potential negative consequences for the environment and human health, which could otherwise be caused by inappropriate waste handling of this product. The recycling of materials will also help to conserve natural resources.
- If equipment contains batteries or accumulators, they should be disposed separately according to Directive 2006/66/EC and your State requirements.



Recycling Information:

- The Product contains material / components under or with:

| | | NO | If YES, please specify. |
|---|--|----|-------------------------|
| 1 | Pressure | / | |
| 2 | Liquids (please specify below) | / | |
| 3 | Gasses (please specify below) | / | |
| 4 | “Hidden” mechanical springs or other harmful equivalents | / | |
| 5 | Risk for explosion during treatment | / | |
| 6 | Risk as fire hazard during treatment | / | |
| 7 | Other risks (please specify below) | / | |

- To the best of our knowledge, the product contains the following materials / components to be removed:

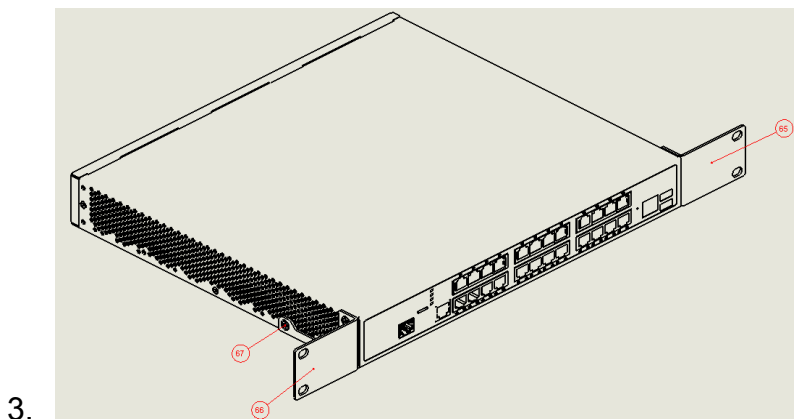
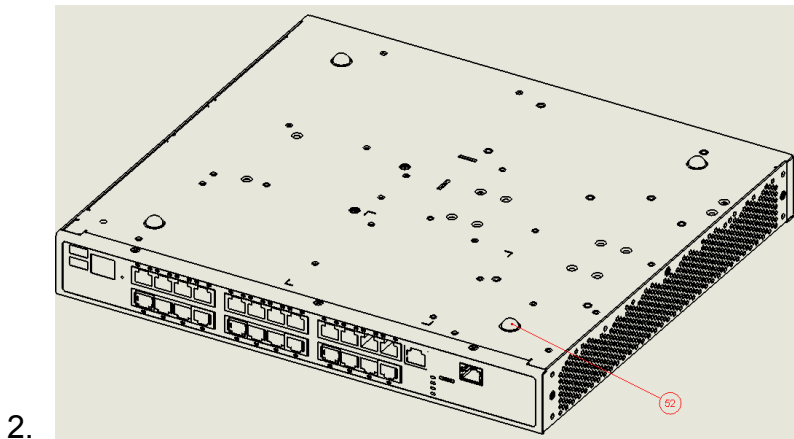
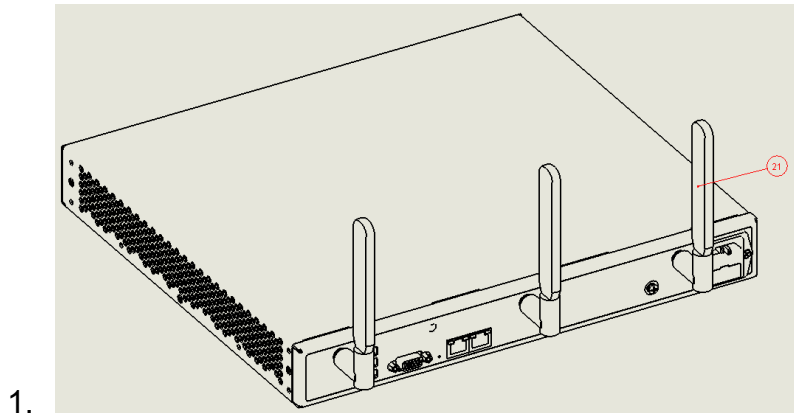
| | | | |
|------------------|--|-----------|-----|
| Document Type: | Dismantling Procedure | | |
| Document Name: | Recycling Product Information AudioCodes Mediant 8XX | | |
| Document Number: | A91001-005 | Revision: | A02 |

| | | NO | If YES, please specify. |
|----|---|-----------|--------------------------------------|
| 1 | Polychlorinated biphenyls (PCB) containing capacitors | / | |
| 2 | Mercury containing components, such as switches or backlighting lamps | / | |
| 3 | Batteries | / | |
| 4 | Printed circuit boards with surfaces greater than 10 square centimeters | | Page 8 Balloon 10 & Page 9 Balloon 4 |
| 5 | Toner cartridges, liquid and pasty, as well as color toner | / | |
| 6 | Plastic containing brominated flame retardants | / | |
| 7 | Asbestos waste and components which contain asbestos | / | |
| 8 | Cathode ray tubes | / | |
| 9 | Chlorofluorocarbons (CFC), hydro chlorofluorocarbons (HCFC) or hydro fluorocarbons (HFC), hydrocarbons (HC) | / | |
| 10 | Gas discharge lamps | / | |
| 11 | Liquid crystal displays (together with their casing where appropriate) of a surface greater than 100 square centimeters and all those back-lighted with gas discharge lamps | / | |
| 12 | External electric cables | / | |
| 13 | Components containing refractory ceramic fibers as described in Commission Directive 97/69/EC of 5 December 1997 adapting to technical progress Council Directive 67/548/EEC relating to the classification, packaging and labeling of dangerous substances | / | |
| 14 | Components containing radioactive substances with the exception of components that are below the exemption thresholds set in Article 3 of and Annex I to Council Directive 96/29/ Euratum of 13 May 1996 | / | |
| 15 | Electrolyte capacitors containing substances of concern (height > 25 mm, diameter > 25 mm or proportionately similar volume) | / | |

| | | | |
|------------------|--|-----------|-----|
| Document Type: | Dismantling Procedure | | |
| Document Name: | Recycling Product Information AudioCodes Mediant 8XX | | |
| Document Number: | A91001-005 | Revision: | A02 |

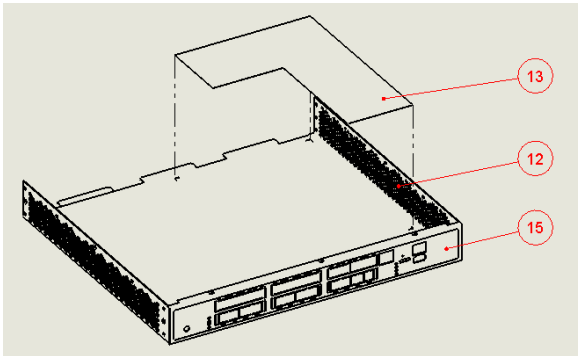
Materials and components which have to be removed and treated separately

| | Components | Material | Details |
|---|---------------------|--------------------------------------|---------------------------------------|
| 1 | Antenna dual band | Plastic, see CENTURION P/N: MAF94051 | Unscrew & remove, balloon 21 |
| 2 | Bumper legs | Plastic PC/ABS | Pull out, balloon 52 |
| 3 | Ears mount 19" RACK | SAE1020 | Unscrew & Take off, balloons 65,66,67 |

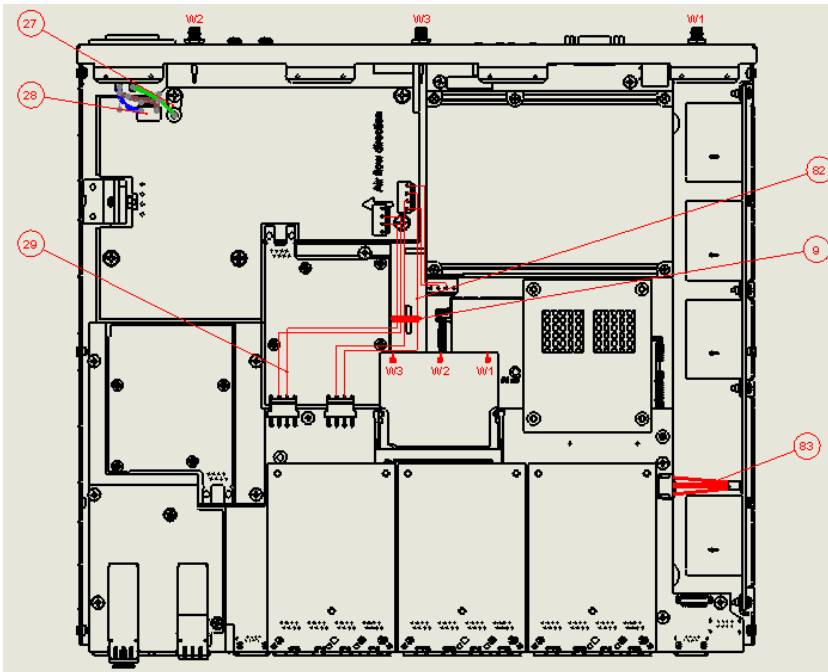


| | | | |
|------------------|--|-----------|-----|
| Document Type: | Dismantling Procedure | | |
| Document Name: | Recycling Product Information AudioCodes Mediant 8XX | | |
| Document Number: | A91001-005 | Revision: | A02 |

| | Components | Material | Details |
|---|---------------------------------|----------------------------|----------------------------------|
| 4 | Cover | AL5052H32 | Unscrew & take off, balloon 12 |
| 5 | INSL PAPER | NOMEX TYPE 410 | Take off, balloon 13 |
| 6 | Front label LEXAN | POLYCARBONATE BY G.E. 8B35 | Take off, balloon 15 |
| 7 | Cables wires & CVILUX connector | 18AWG-UL10071569 | Take off, balloons 82,9,93,27-29 |



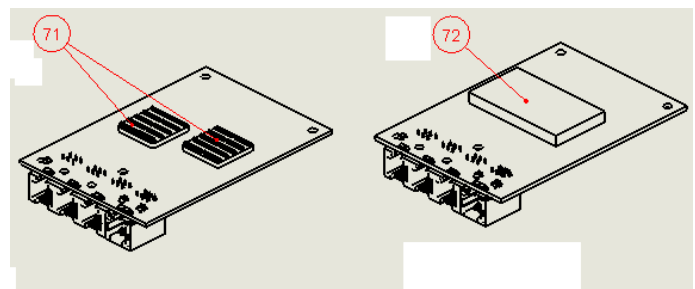
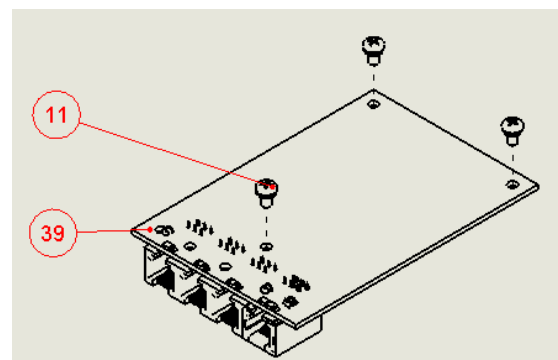
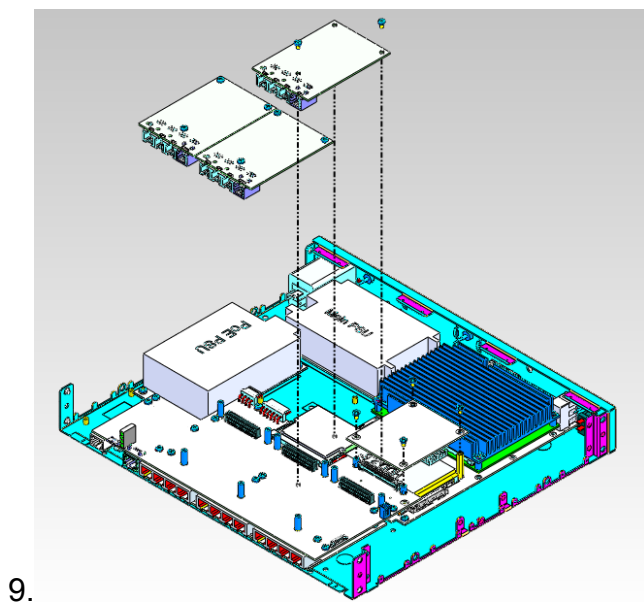
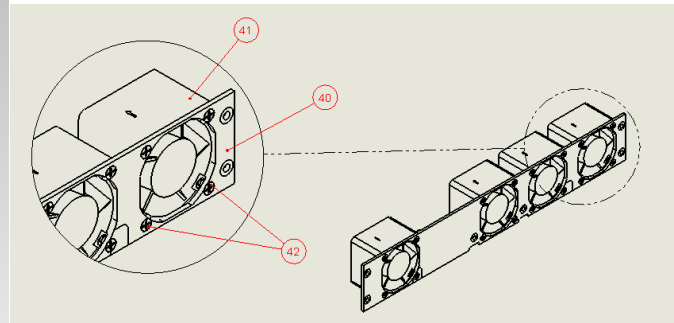
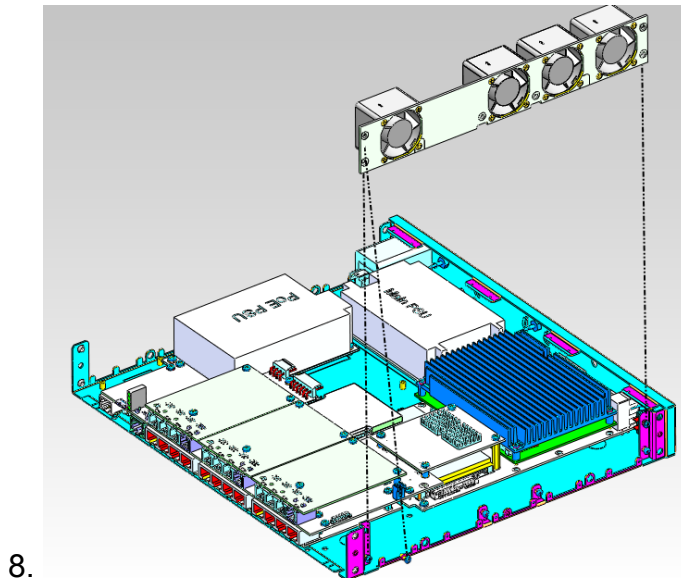
4.5.6.



7.

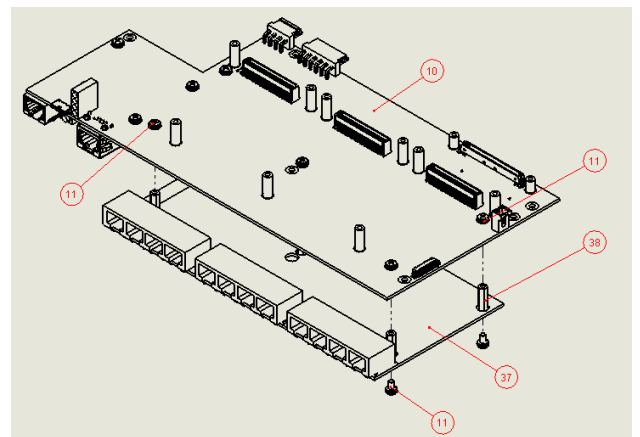
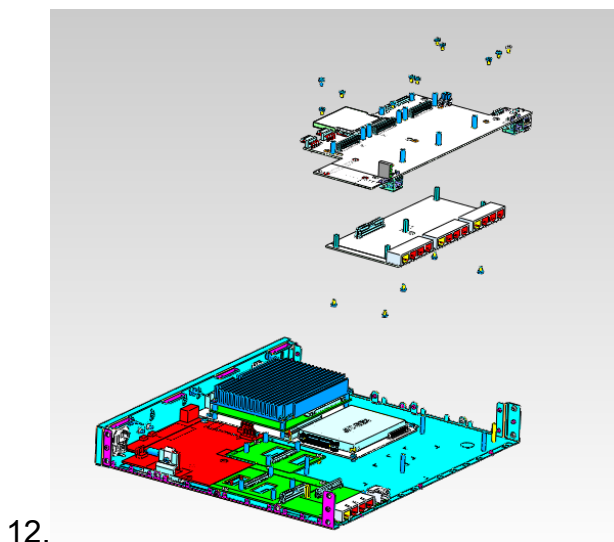
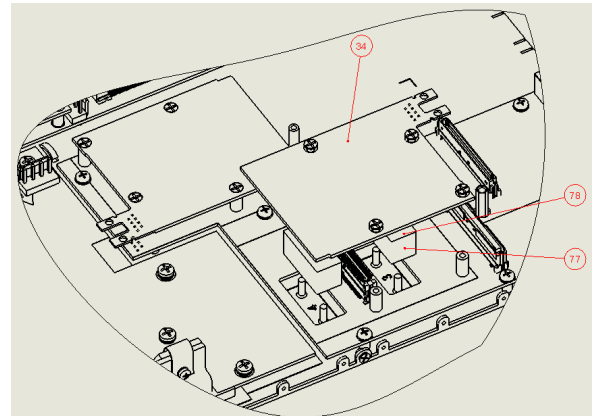
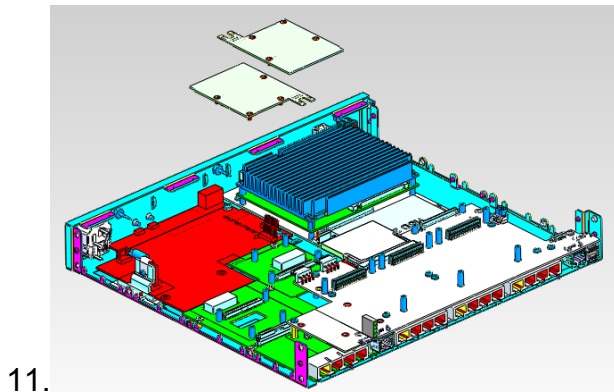
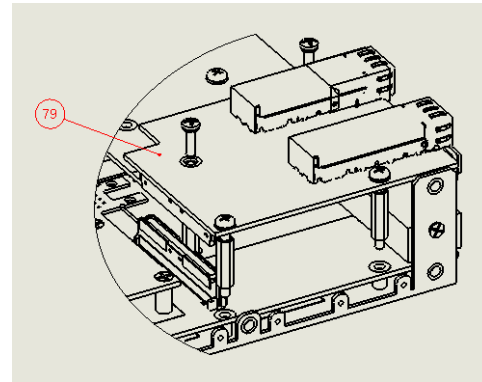
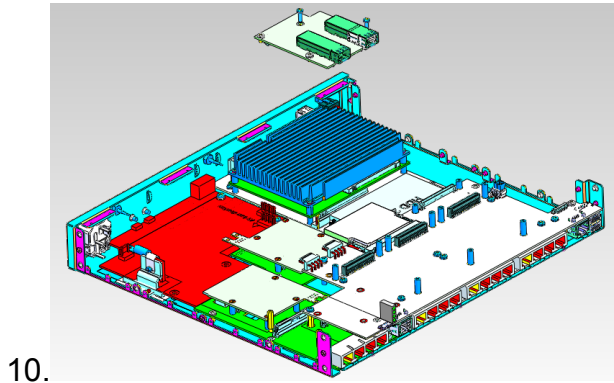
| | | | |
|------------------|--|-----------|-----|
| Document Type: | Dismantling Procedure | | |
| Document Name: | Recycling Product Information AudioCodes Mediant 8XX | | |
| Document Number: | A91001-005 | Revision: | A02 |

| | Components | Material | Details |
|----|---------------|---|-----------------------------------|
| 8 | Fan tray unit | PCBA & FAN AXIAL 12VDC (SUNON P/N HA40201V4-D080-999) | Unscrew & remove, balloons 40-42 |
| 9 | PSTN cards | PCBA | Unscrew & remove, balloons 39, 11 |
| 10 | PSTN Cooling | THERMAL PAD & Heat sink | Remove balloons 71,72 |



| | | | |
|------------------|--|-----------|-----|
| Document Type: | Dismantling Procedure | | |
| Document Name: | Recycling Product Information AudioCodes Mediant 8XX | | |
| Document Number: | A91001-005 | Revision: | A02 |

| | Components | Material | Details |
|----|-----------------------------|----------------------------|--------------------------------------|
| 10 | GX-800 board ASSY | PCBA | Unscrew & remove, balloon 79 |
| 11 | DWM-2 board ASSY | PCBA & Thermal Block & Pad | Unscrew & remove, balloons 34, 77-78 |
| 12 | BS-500 & LX-500 boards ASSY | PCBA | Unscrew & remove, balloons 10,37 |



| | | | |
|------------------|--|-----------|-----|
| Document Type: | Dismantling Procedure | | |
| Document Name: | Recycling Product Information AudioCodes Mediant 8XX | | |
| Document Number: | A91001-005 | Revision: | A02 |

| | Components | Material | Details |
|----|-------------------------------|--|---|
| 13 | WX-800 board ASSY | PCBA | Unscrew & remove, balloon 75 |
| 14 | APSI-802 board or PSU ASSY | PCBA, thermal pads, heat sink, NOMEX, power entry plug | Unscrew & remove, balloons 4,85,72,84,2,4,5 |
| 15 | CX-500 board ASSY, metal base | PCBA, heat sink, thermal pads, HDD, LEXAN POLYCARBONATE BY G.E. 8B35 , AL5052H32 | Unscrew & remove, balloons 48,31,59,50,32,11,16 |

