

Dismantling Procedure			
Recycling ID			
Name:	Recycling Product Information for AudioCodes Mediant 500L		
Document p/n:	A99086-000	REV. A01	ACL P/N : N/A
Directive 2012/19/EU			

Release and Revision Record			
New Procedure File <input checked="" type="checkbox"/>			
Updated Procedure File <input type="checkbox"/>			
Edited: Arnon Ben Aharon		Approved: Sason Atia	
Rev	Description	Date Approved	Approved By
A01	Initial Release	24/10/2017	Sason Atia

Document Type:	Dismantling Procedure		
Document Name:	Recycling Product Information AudioCodes Mediant 500L		
Document Number:	A99086-000	Revision:	A01

General

Directive 2012/19/EU of the European Parliament and of the Council on Waste Electrical and Electronic Equipment (WEEE) requires the manufacturers to provide To Whom It May Concern information about preparation for re-use, recycle and treatment of their products.

Manufacturer details:

Company: AudioCodes
Address: 1 Hayarden Street, Airport City, LOD 70100, ISRAEL.

Equipment Information:

Product name: Mediant 500L.

Product view:

Without cover:



With cover:



Equipment net weight: 0.7Kg approximately (depend on the product's configuration)

Equipment dimensions: 50X160X295mm

Document Type:	Dismantling Procedure		
Document Name:	Recycling Product Information AudioCodes Mediant 500L		
Document Number:	A99086-000	Revision:	A01

Equipment Information:

- Safety-Marks and other marks on the product label: CE
- Restricted Substances: None
- Batteries (Yes/No; Type; Weight): None

Disposal of used Electrical & Electronic Equipment:

- Applicable in the European Union and in other European countries with separate collection system.
- The symbol below, when posted on the product or in the product’s manual and/or on its packaging box indicates that this product shall not be treated as household waste.
- By ensuring this product is disposed-of correctly, you will help preventing potential negative consequences for the environment and human health, which could otherwise be caused by inappropriate waste handling of this product. The recycling of materials will also help to conserve natural resources.
- If equipment contains batteries or accumulators, they should be disposed separately according to Directive 2006/66/EC and your State requirements.



Recycling Information:

- The Product contains material / components under or with:

		NO	If YES, please specify.
1	Pressure	/	
2	Liquids (please specify below)	/	
3	Gasses (please specify below)	/	
4	“Hidden” mechanical springs or other harmful equivalents	/	
5	Risk for explosion during treatment	/	
6	Risk as fire hazard during treatment	/	
7	Other risks (please specify below)	/	

- To the best of our knowledge, the product contains the following materials / components to be removed:

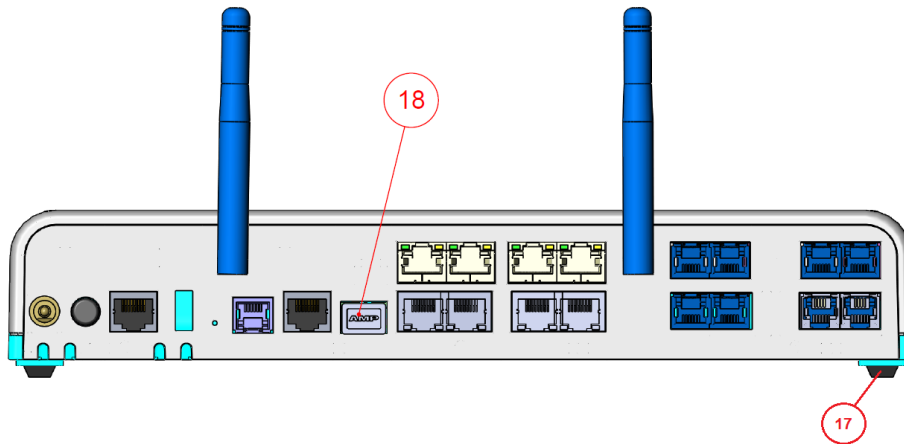
Document Type:	Dismantling Procedure		
Document Name:	Recycling Product Information AudioCodes Mediant 500L		
Document Number:	A99086-000	Revision:	A01

		NO	If YES, please specify.
1	Polychlorinated biphenyls (PCB) containing capacitors	/	
2	Mercury containing components, such as switches or backlighting lamps	/	
3	Batteries	/	
4	Printed circuit boards with surfaces greater than 10 square centimeters		Page 8, Balloon 2
5	Toner cartridges, liquid and pasty, as well as color toner	/	
6	Plastic containing brominated flame retardants	/	
7	Asbestos waste and components which contain asbestos	/	
8	Cathode ray tubes	/	
9	Chlorofluorocarbons (CFC), hydro chlorofluorocarbons (HCFC) or hydro fluorocarbons (HFC), hydrocarbons (HC)	/	
10	Gas discharge lamps	/	
11	Liquid crystal displays (together with their casing where appropriate) of a surface greater than 100 square centimeters and all those back-lighted with gas discharge lamps	/	
12	External electric cables	/	
13	Components containing refractory ceramic fibers as described in Commission Directive 97/69/EC of 5 December 1997 adapting to technical progress Council Directive 67/548/EEC relating to the classification, packaging and labeling of dangerous substances	/	
14	Components containing radioactive substances with the exception of components that are below the exemption thresholds set in Article 3 of and Annex I to Council Directive 96/29/ Euratom of 13 May 1996	/	
15	Electrolyte capacitors containing substances of concern (height > 25 mm, diameter > 25 mm or proportionately similar volume)	/	

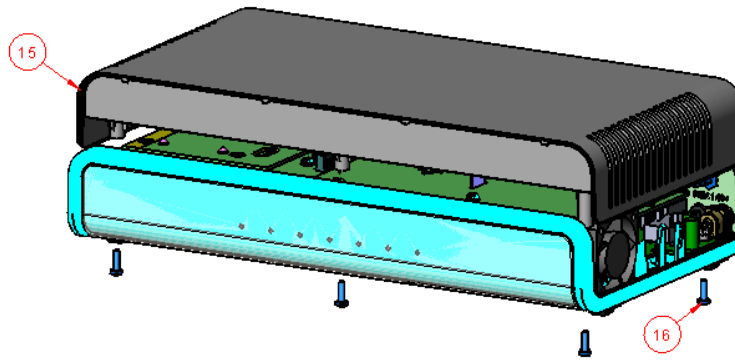
Document Type:	Dismantling Procedure		
Document Name:	Recycling Product Information AudioCodes Mediant 500L		
Document Number:	A99086-000	Revision:	A01

Materials and components which have to be removed and treated separately

	Components	Material	Details
1	Bumper legs	polyurethane	Pull out, balloon 17 (X4)
2	SFP DUST COVER	Thermoplastic Molding Compound	Pull Out, balloon 18

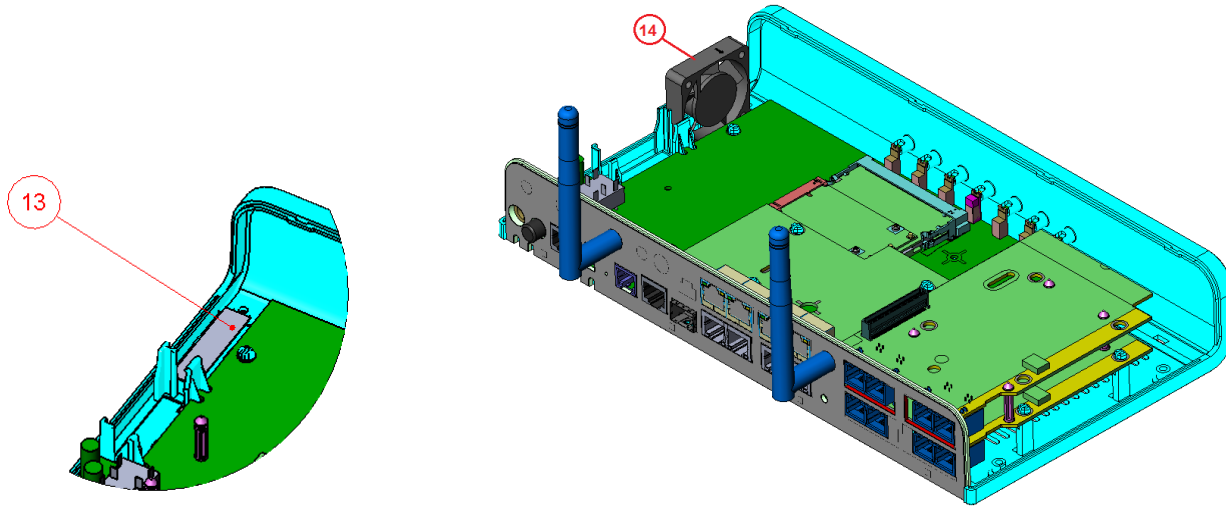


	Components	Material	Details
3	Cover	PC/ABS C2950	Unscrew Balloon 16 (x6) & take off, balloon 15

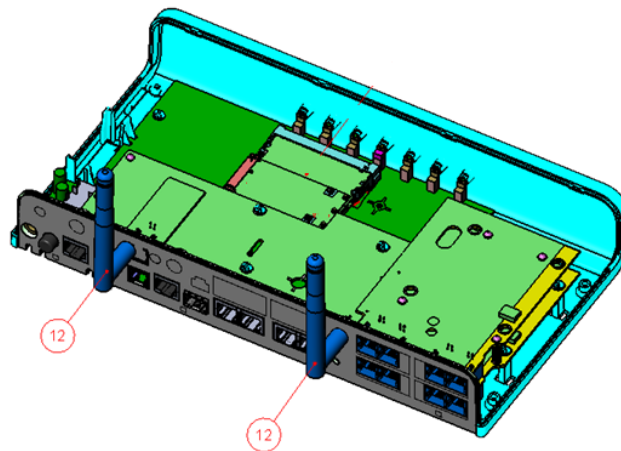


Document Type:	Dismantling Procedure		
Document Name:	Recycling Product Information AudioCodes Mediant 500L		
Document Number:	A99086-000	Revision:	A01

	Components	Material	Details
4	FAN AXIAL	FAN AXIAL 12VDC 40x40x10 4.39CFM 15dB(A) w/ CONN.	Disconnect wire & Pull up, balloon 14
5	SPONGE	PORON 92 ONE SIDE ADHESIVE PAPER	Remove, balloon 13

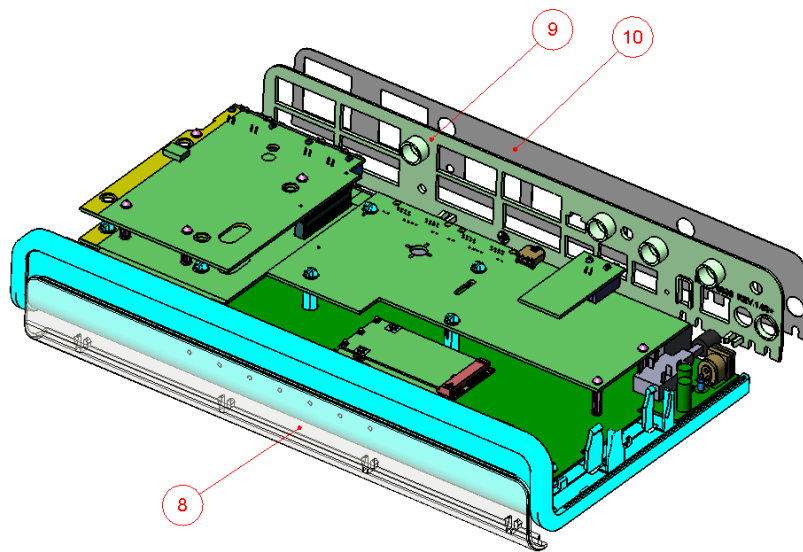


	Components	Material	Details
6	Antenna dual band	Plastic, see WAL SIN P/N: RFDPA870915IMLB302	Disconnect wires & Pull out, balloon 12



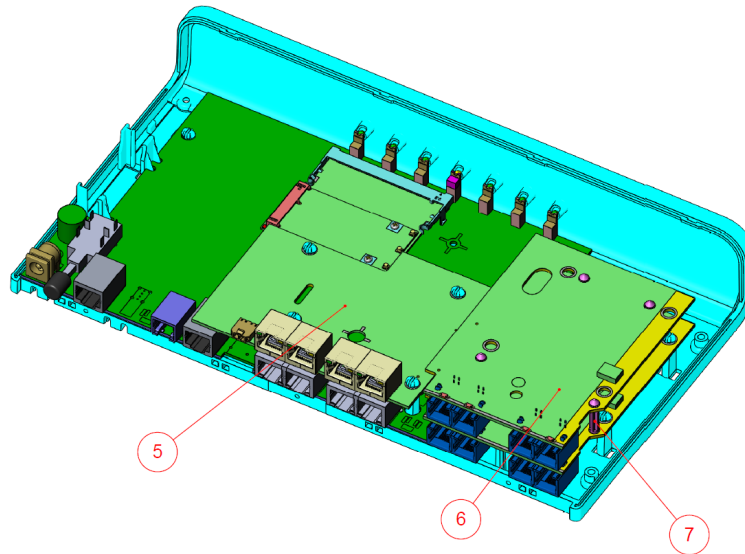
Document Type:	Dismantling Procedure		
Document Name:	Recycling Product Information AudioCodes Mediant 500L		
Document Number:	A99086-000	Revision:	A01

	Components	Material	Details
7	Back label LEXAN	POLYCARBONATE BY G.E. 8B35	Remove Sticker, balloon 10
8	PANEL PLAST REAR M500L	PC UL 94 V0 UL GE LEXAN 920	Take off, Balloon 9
9	PANEL PLAST FRONT	PC UL 94 V0 UV GE LEXAN 920 - SMOKED	Take off, Balloon 9

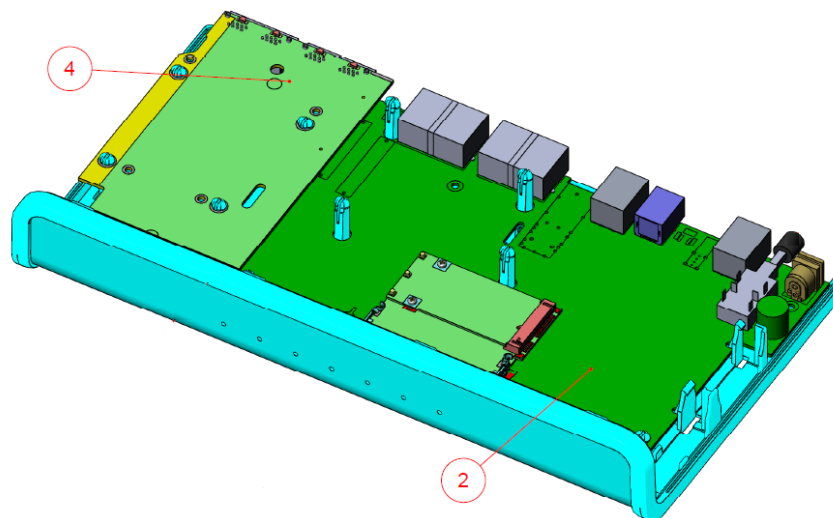


Document Type:	Dismantling Procedure		
Document Name:	Recycling Product Information AudioCodes Mediant 500L		
Document Number:	A99086-000	Revision:	A01

	Components	Material	Details
7	SOX-5U Board	PCBA	Pull up & remove, balloon 6
8	LX-5A1 Board	PCBA	Pull up & remove, balloon 5
9	PUSH SPACER	NYLON 66	Pull up & remove, balloon 7 (x4)



	Components	Material	Details
10	SOX-5	PCBA	Pull Up & remove, balloon 4
11	M-51B	PCBA	Pull Up & remove, balloon 2



Document Type:	Dismantling Procedure		
Document Name:	Recycling Product Information AudioCodes Mediant 500L		
Document Number:	A99086-000	Revision:	A01

	Components	Material	Details
10	Base	PC/ABS C2950	balloon 1

