

Interactive Flat Panel

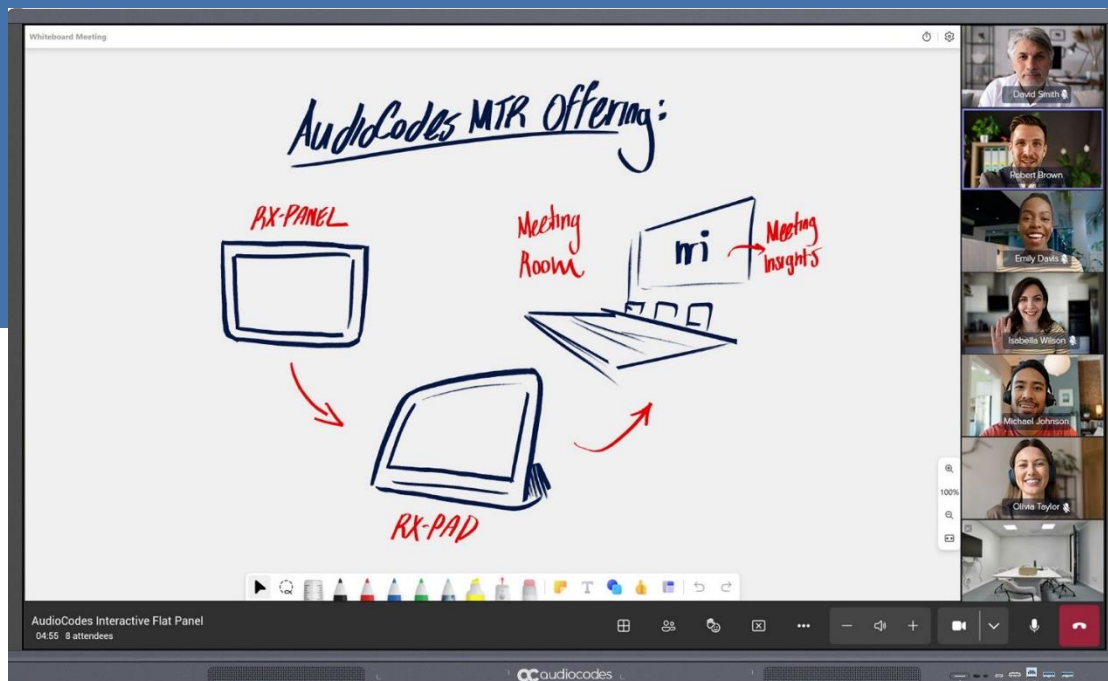


Table of Contents

Notice	iii
Security Vulnerabilities.....	iii
WEEE EU Directive.....	iii
Customer Support.....	iii
Stay in the Loop with AudioCodes.....	iii
Abbreviations and Terminology.....	iii
Related Documentation.....	iii
Document Revision Record.....	iv
Documentation Feedback.....	iv
1 Introduction	1
1.1 Package Contents.....	1
1.2 Specifications.....	1
2 Getting Familiar with the Interactive Flat Panel	2
2.1 Front Panel of Interactive Flat Panel.....	2
2.2 Right Panel of Interactive Flat Panel.....	3
2.3 Bottom Panel of Interactive Flat Panel.....	4
3 Getting Started	5
3.1 Cabling the Interactive Flat Panel.....	5
3.2 Switching HDMI Input Source.....	6
3.3 Activating Microsoft Teams Whiteboard.....	6
4 Upgrading the Interactive Flat Panel	7
5 Mobile Trolley Stand for Interactive Flat Panel	8
5.1 Package Items.....	8
5.2 Requirements.....	9
5.3 Assembly Instructions.....	9

Notice

Information contained in this document is believed to be accurate and reliable at the time of printing. However, due to ongoing product improvements and revisions, AudioCodes cannot guarantee accuracy of printed material after the Date Published nor can it accept responsibility for errors or omissions. Updates to this document can be downloaded from <https://www.audiocodes.com/library/technical-documents>.

This document is subject to change without notice.

Date Published: May-07-2025

Security Vulnerabilities

All security vulnerabilities should be reported to vulnerability@audiocodes.com.

WEEE EU Directive

Pursuant to the WEEE EU Directive, electronic and electrical waste must not be disposed of with unsorted waste. Please contact your local recycling authority for disposal of this product.

Customer Support

Customer technical support and services are provided by AudioCodes or by an authorized AudioCodes Service Partner. For more information on how to buy technical support for AudioCodes products and for contact information, please visit our website at <https://www.audiocodes.com/services-support/maintenance-and-support>.

Stay in the Loop with AudioCodes



Abbreviations and Terminology

Each abbreviation, unless widely used, is spelled out in full when first used.

Related Documentation

Document Name
AudioCodes RXV200 Microsoft Teams Rooms Bundles
RXV200 Microsoft Teams Rooms on Android Compute Unit Quick Installation Guide
AudioCodes Microsoft Teams Rooms (MTR) Devices and Solution Bundles
RXV81 MTR on Android Video Collaboration Bar with RX-PAD or RCU Quick Installation Guide
RXV81 USB Peripheral Quick Guide

Document Revision Record

LTRT	Description
13460	Initial document release.

Documentation Feedback

AudioCodes continually strives to produce high quality documentation. If you have any comments (suggestions or errors) regarding this document, please fill out the Documentation Feedback form on our website at <https://online.audiocodes.com/documentation-feedback>.

1 Introduction

AudioCodes' Interactive Flat Panel high-resolution screen with white-board functionality

offers an unparalleled meeting experience in today's hybrid workplace, with its productivity-boosting real-time brainstorming and powerful content sharing capabilities.

The 65-inch Interactive Flat Panel provides excellent video quality for all meeting room sizes. The Interactive Flat Panel's intuitive touch interface and integrated stylus pen enable effective engagement in classrooms, board rooms and huddle and focus rooms, enhancing employee collaboration by providing seamless communication between all meeting participants, regardless of their physical location.



The Interactive Flat Panel operates with Teams client, in Kiosk mode. In Kiosk mode, the Interactive Flat Panel doesn't run full Android. Admins and users can't install or run Android apps. The Interactive Flat Panel connects to the HDMI output of the Android MTR, which has an integrated Whiteboard app.

1.1 Package Contents

Make sure you received the following product contents in the shipped package:

- 1 x 65-inch TV
- 1 x wall mount
- 1 x HDMI cable
- 1 x European power cable
- 1 x American power cable
- 1 x UK power cable
- 1 x USB touch cable
- 2 x passive pen
- 1 x Remote Control and battery

1.2 Specifications

For Interactive Flat Panel specifications, click [here](#).

2 Getting Familiar with the Interactive Flat Panel

This section gets you familiar with the Interactive Flat Panel interfaces.

2.1 Front Panel of Interactive Flat Panel

Figure 1: Front Panel

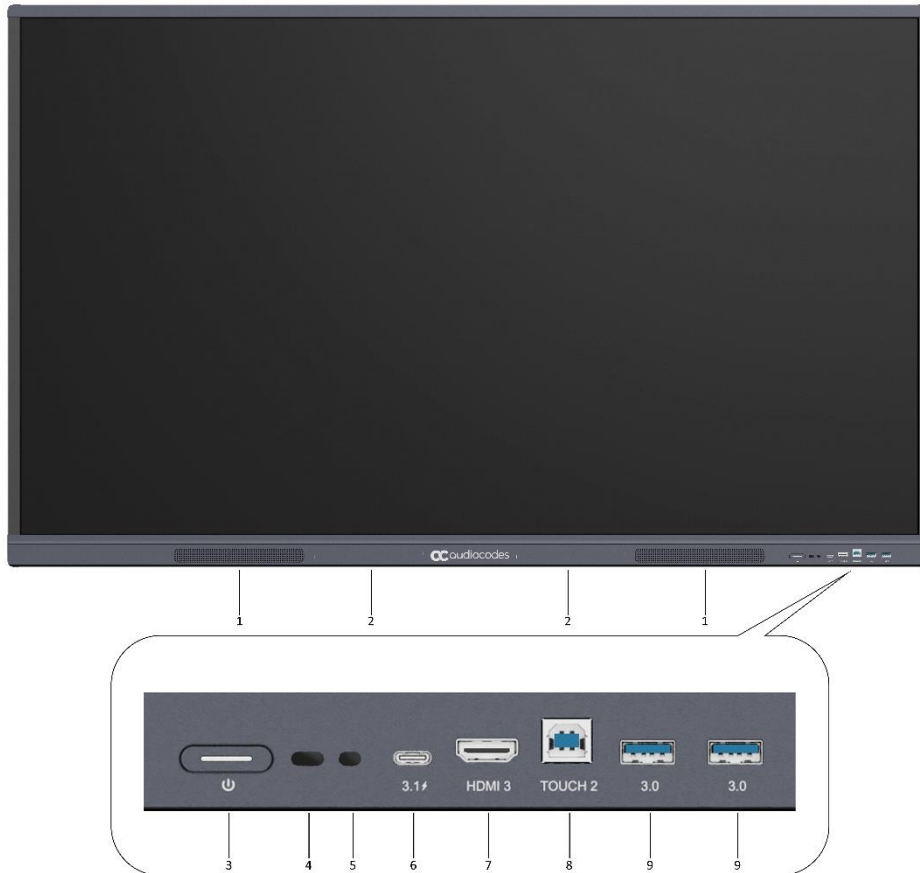



Table 1: Front Panel Description

#	Interface	Function
1	Loudspeaker	Amplifies audio.
2	Magnetic zone	Place the magnetic pen here.
3		Tap to enter energy-saving. Press for at least 2 seconds to enter standby mode.
4	Remote control signal receiver	Receives the remote signal.
5	Light sensor	Identifies the brightness of ambient light.
6	3.1 f	Support charging, data transmission, extension for audio and video output interface, etc. Note: The maximum rated power of the USB Type-C port is 65W. When using this port to charge electronic devices, the charging power of the electronic device cannot exceed the rated power of this port. If the charging power of the electronic device exceeds the rated charging power of this port, please Do Not directly use this port for charging.

#	Interface	Function
7	HDMI 3	High-definition multimedia interface signal input. Connect to devices with HDMI output interface (personal computer with HDMI output, set-top box).
8	TOUCH 2	Touch signal output to the external computer.
9	3.0	Connect USB devices such as mobile hard disk, U disk, USB keyboard and mouse, USB drives.

2.2 Right Panel of Interactive Flat Panel

Figure 2: Right Panel

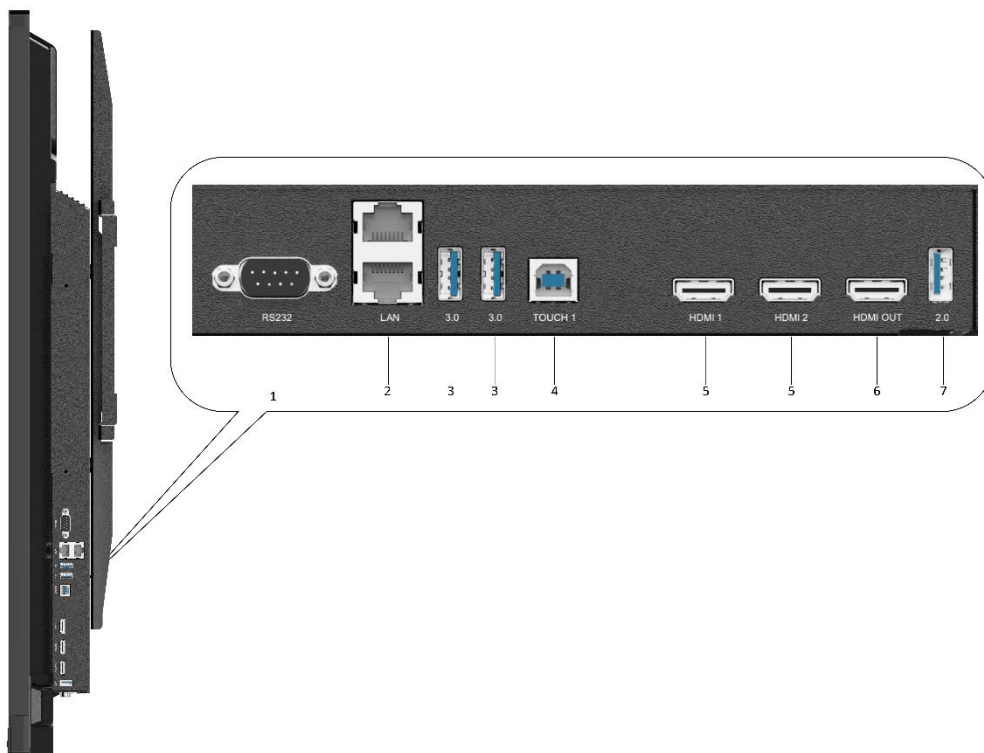


Table 2: Right Panel

#	Interface	Function
1	RS232	Serial interface used for mutual transfer of data between devices.
2	LAN	Not applicable.
3	3.0	Connect USB devices such as mobile hard disk, U disk, USB keyboard and mouse, USB drives, etc.
4	TOUCH 1	Touch signal output to the external computer.
5	HDMI 1 / 2 (IN)	High-definition multimedia interface signal input. Connect to devices with HDMI output interface (personal computer with HDMI output, set-top box, or another video device).
6	HDMI OUT	Not applicable.
7	2.0	Connect USB devices such as mobile hard disk, USB disk, USB keyboard and mouse, USB drives, etc.

2.3 Bottom Panel of Interactive Flat Panel

Figure 3: Bottom Panel

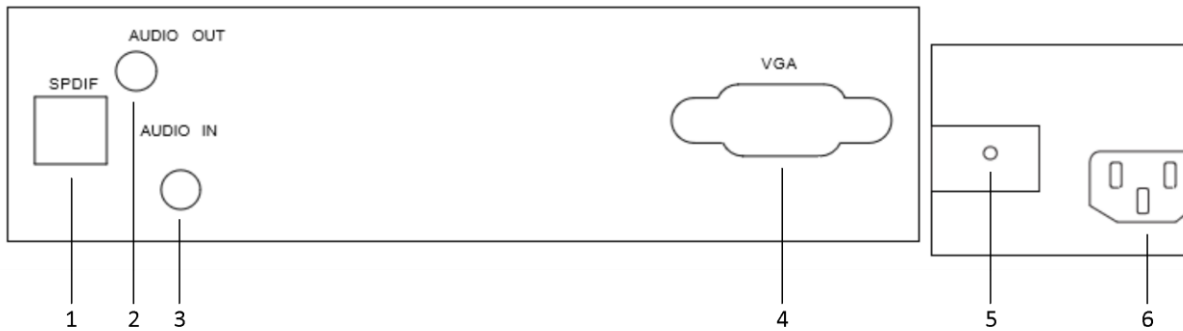


Table 3: Bottom Panel Description

#	Interface	Function
1	SPDIF	Not applicable.
2	AUDIO IN	Not applicable.
3	AUDIO OUT	Not applicable.
4	VGA	External computer image input.
5	AC SWITCH	Opens or shuts down AC power supply: <ul style="list-style-type: none"> ■ I = power on ■ O = power off
6	AC IN	AC power input for connection to AC power supply.

3 Getting Started

3.1 Cabling the Interactive Flat Panel

The following procedure describes how to cable the Interactive Flat Panel.

To cable the Interactive Flat Panel:


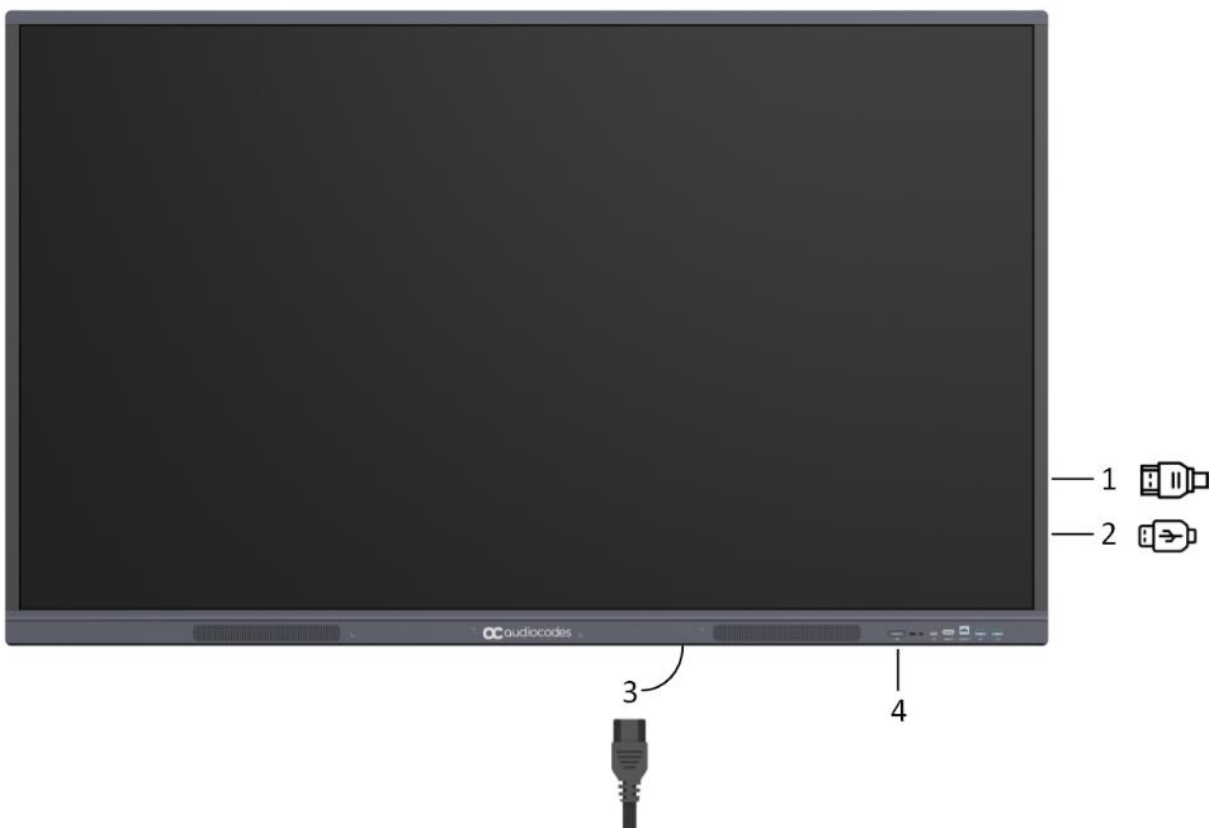
1. Connect the HDMI Out port of the RXV200/FXV81/PC (or any other device) to one of the Interactive Flat Panel's HDMI In ports, using an HDMI cable.
2. Connect the USB port of the RXV200/RXV81/PC (or any other device) to one of the Interactive Flat Panel's USB Touch ports, using a USB touch cable.
3. Connect your AC power source to the Interactive Flat Panel's AC inlet (located on the rear-bottom panel), using the supplied power cable.
4. Press the Interactive Flat Panel's power  button (located on the front panel).

Figure 4: Cabling Interactive Flat Panel



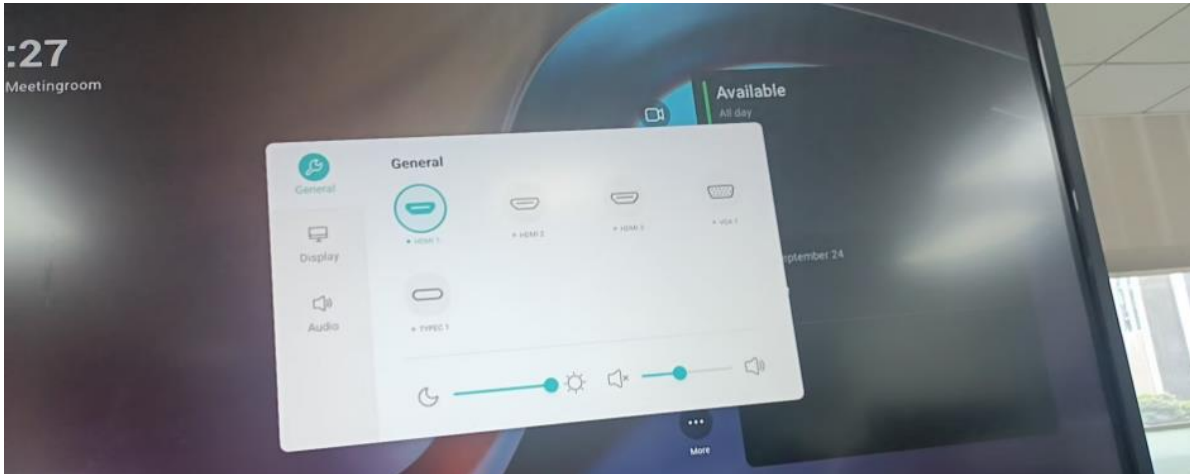
3.2 Switching HDMI Input Source

You can switch the HDMI input source for the Interactive Flat Panel display.

To switch HDMI input:

1. Swipe the Interactive Flat Panel screen from bottom to top.
2. Select the **General** menu, and then choose the required HDMI input port.

Figure 5: Switching HDMI Input



3.3 Activating Microsoft Teams Whiteboard

You can activate Teams Whiteboard as follows:

- Using the MTRA connected to the Interactive Flat Panel.
- Teams Whiteboard can be activated during a Teams meeting, by doing one of the following:
 - Using the MTRA.
 - By any participant of the meeting using Teams desktop client or Teams mobile client.
- Make sure that the USB B cable is connected to port #4 (TOUCH 1) and its other end to the RXV200 / RXV81 MTRA.



For more information on using Teams Whiteboard, click [here](#).

4 Upgrading the Interactive Flat Panel

You can upgrade the Interactive Flat Panel as described below.

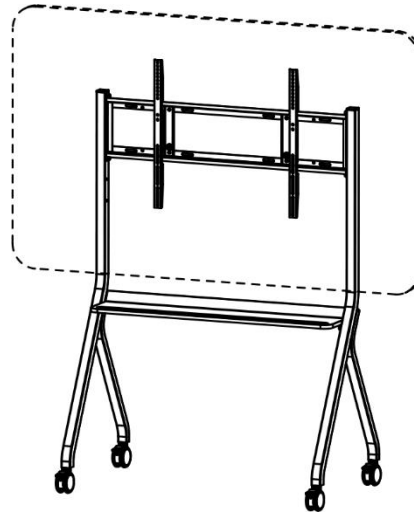
To upgrade the Interactive Flat Panel:

1. Obtain the firmware file from AudioCodes Support.
2. Rename the file to *update.zip*.
3. Prepare a USB disk drive:
 - a. Format the disk to FAT32.
 - b. Create a folder called "upgrade_982" under the disk's root directory.
4. Copy the *update.zip* file to the disk's "upgrade_982" folder (created above).
5. Plug the USB into the Interactive Flat Panel's USB 2.0 port.
6. On the Interactive Flat Panel's remote control, press **Input + 1379**; the **Operation** menu is displayed.
7. Click **Upgrade Page**, and then click **Upgrade All**.
8. Wait until the upgrade process completes.

5 Mobile Trolley Stand for Interactive Flat Panel

AudioCodes offers an orderable mobile trolley stand for your Interactive Flat Panel. The stand includes a shelf to hold your remote control or stylus pens and has easy rolling 360° wheels that are fully lockable once the Interactive Flat Panel is in the desired position. The stand offers a small amount of manual height adjustment when assembling and is simple and easy to set up. The included display arms are simply attached to the back of the Interactive Flat Panel and then hung on the mobile stand like a wall mounting bracket.

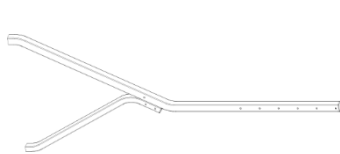
Figure 6: Interactive Flat Panel on Mobile Trolley Stand



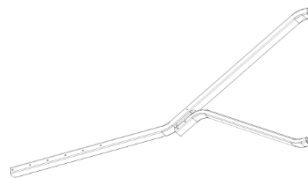
- Max. bearing weight of the stand: 100 kg
- Physical dimensions (LxWxH) of the stand: 1160 × 661 × 1597 mm

5.1 Package Items

Before assembling the stand, make sure that you've received the following items:



(A) Left stand leg



(B) Right stand leg



(C) Wall mount



(D) Tray



(E) Caster wheels x 4



(F) Brackets x 2



(1) Screw (M8×25 mm)
x 14



(2) Spring washer (Ø20×Ø13 mm)
x 5



(3) Security bolt (M6×130 mm)
x 2

5.2 Requirements



(4) Wrench

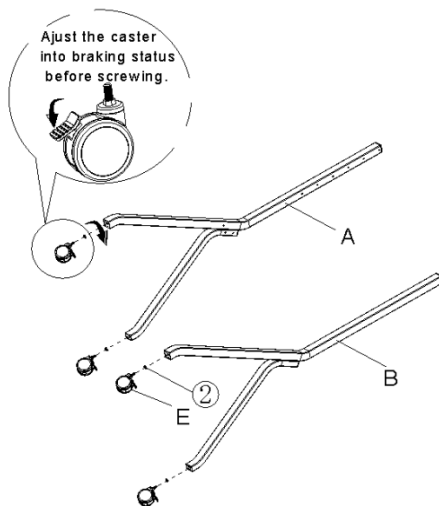


(5) Cross screwdriver

5.3 Assembly Instructions

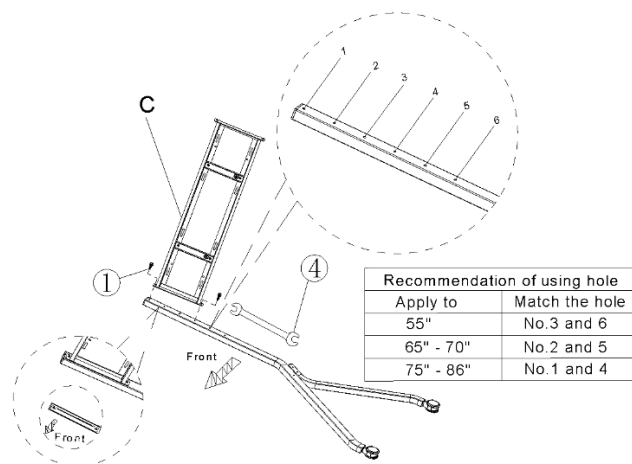
STEP 1

Adjust casters into braking status and then screw them into the stand legs.



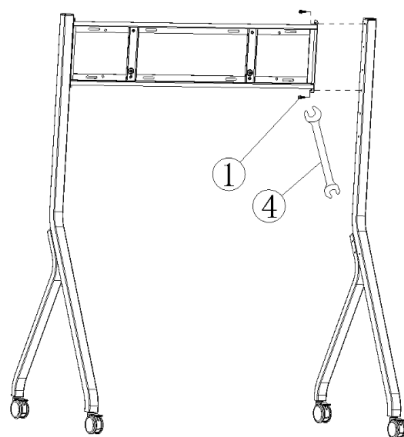
STEP 2

Lock the wall mount to the side of one stand leg.



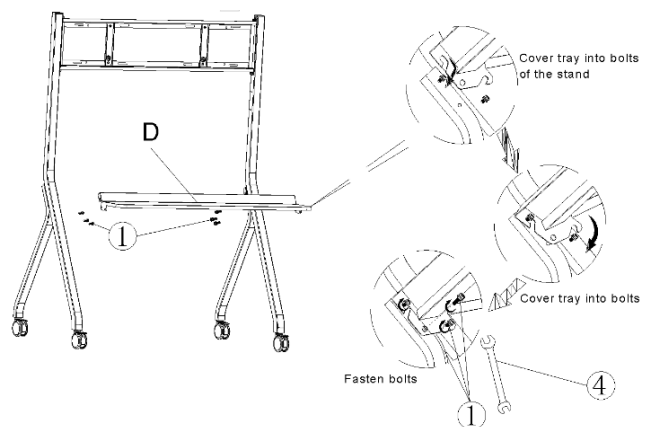
STEP 3

Lock the wall mount to the side of the other stand leg.



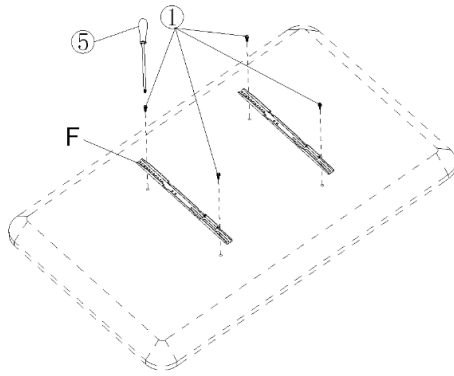
STEP 4

Lock the tray between two upright stands.

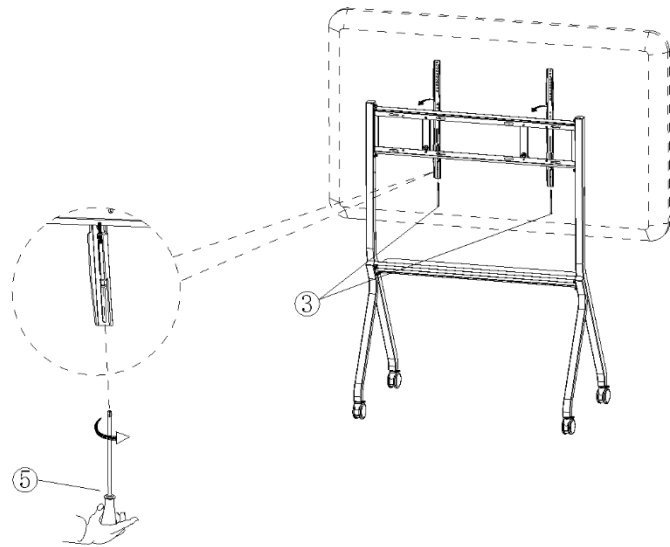


STEP 5

Attach the brackets to the back of the Interactive Flat Panel.

**STEP 6**

Hang the Interactive Flat Panel on the stand, and tighten the security bolts. Make sure they're in brake status. (This step requires two people.)



International Headquarters

Naimi Park
6 Ofra Haza Street
Or Yehuda, 6032303, Israel
Tel: +972-3-976-4000
Fax: +972-3-976-4040

AudioCodes Inc.

80 Kingsbridge Rd
Piscataway, NJ 08854, USA
Tel: +1-732-469-0880
Fax: +1-732-469-2298

Contact us: <https://www.audiocodes.com/corporate/offices-worldwide>

Website: <https://www.audiocodes.com>

©2025 AudioCodes Ltd. All rights reserved. AudioCodes, AC, HD VoIP, HD VoIP Sounds Better, IPmedia, Mediant, MediaPack, What's Inside Matters, OSN, SmartTAP, User Management Pack, VMAS, VoIPerfect, VoIPerfectHD, Your Gateway To VoIP, 3GX, AudioCodes One Voice, AudioCodes Meeting Insights, and AudioCodes Room Experience are trademarks or registered trademarks of AudioCodes Limited. All other products or trademarks are property of their respective owners. Product specifications are subject to change without notice.

Document #: LTRT-13460

