

Quick Guide

1. Before Installing

Congratulations on purchasing your **AudioCodes C436HD for Microsoft Teams IP Phone!**
Before installing your phone, make sure the following items are included in the shipped box:

- ✓ C436HD IP Phone
- ✓ AC power adapter (optional)
- ✓ Cat 5e Ethernet cable
- ✓ Handset
- ✓ Handset cord
- ✓ Mounting bracket

2. Physical Description



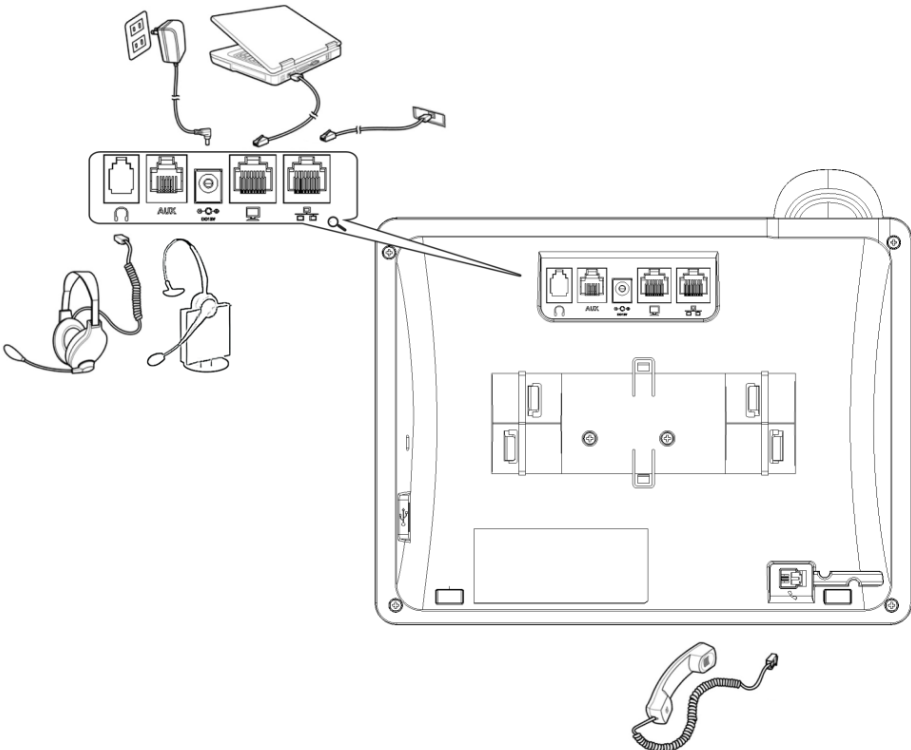
3. Cabling the Phone



Warning: Prior to connecting power, refer to the [Compliance and Regulatory Information](#) document.

To cable the phone:

1. Connect the short, straight end of the phone cord to the handset, and the longer straight end of the cord, to the handset jack on the phone.
2. (Optional) Connect the RJ-9 headset jack to a headset.
3. Connect the RJ-45 LAN port to your LAN network (LAN port or LAN switch/router) with a CAT 5 / 5e Ethernet cable.
4. Connect the RJ-45 PC port to a computer with a CAT 5 / 5e straight-through Ethernet cable.
5. Connect the connector tip of the AC power adapter to the phone's DC 12V power socket, and then connect the two-prong AC adapter directly to the electrical wall outlet. When the phone powers up, all the LEDs momentarily light up.

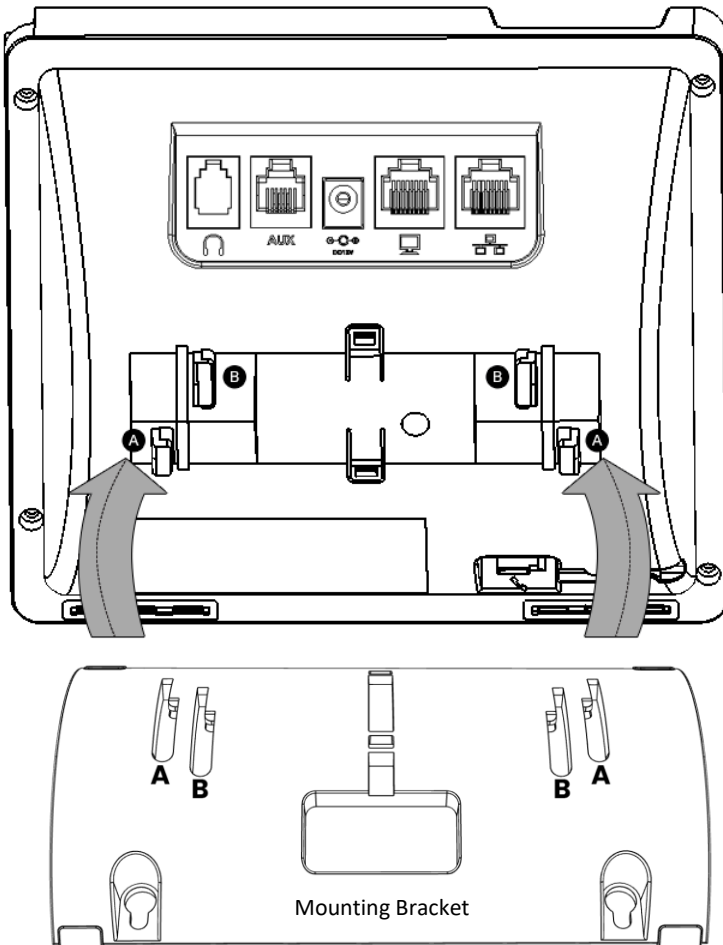


4. Desktop or Wall Mounting the Phone

For the principles of assembling the phone's mounting bracket, scan the QR code or click [here](#) to watch the video tutorial.

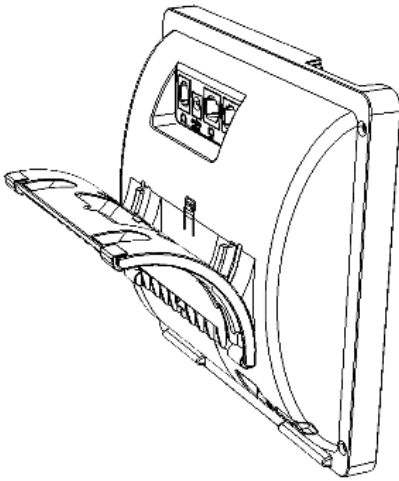


- ✓ **Desktop mounting:**
Slide the mounting bracket's outer rails (A) onto the phone's outer notches (A).
- ✓ **Wall mounting:**
Slide the mounting bracket's inner rails (B) onto the phone's inner notches (B).

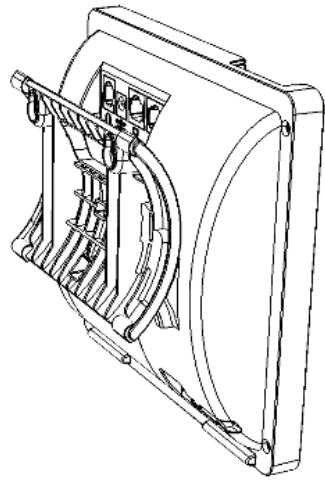


The illustrations below show the attached mounting bracket for desktop and wall mounting:

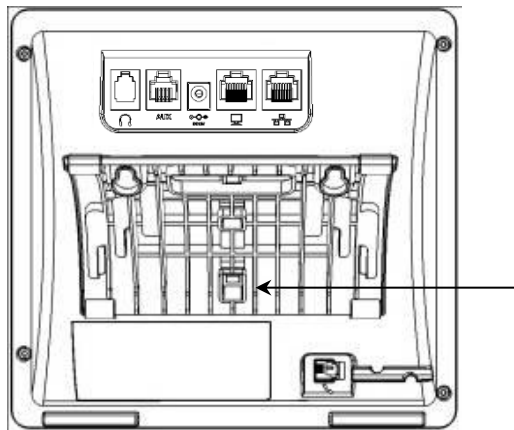
Desktop Mounting



Wall Mounting



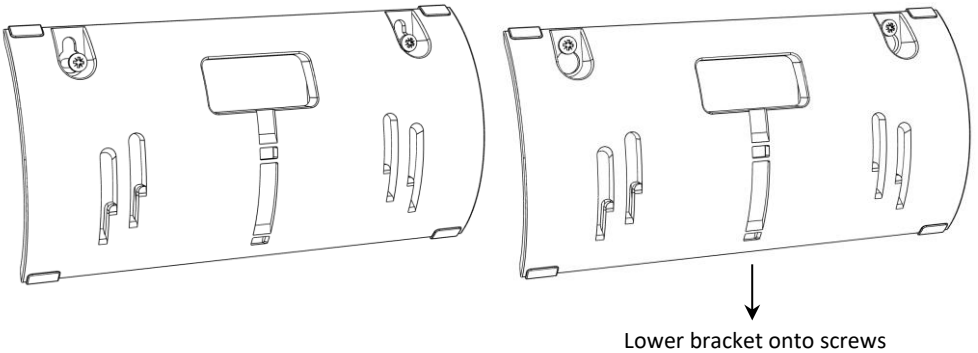
To detach the mounting bracket from the phone, push the button shown in the figure below with a pointed object:



To mount phone on a wall:

1. Using the mounting plate's two screw holes as a template, mark the locations on the wall where you want to mount the phone. The horizontal distance between the screw holes is 5.39 inches (137 mm).
2. At the two marked locations on the wall, drill two holes.
3. Insert wall anchors (not supplied) into the drilled holes.
4. Insert two screws (not supplied) into the anchors. It's recommended to use 3.9 x 32 mm (DIN 7981 C) self-tapping pan Phillips-head screws. Leave about 3/16 inch (5 mm) between the screw head and the wall.
5. Attach the mounting bracket to the phone's base, as described in the previous section.
6. Align the keyhole slots of the mounting bracket with the protruding screw heads and then lower the bracket (attached to the phone) onto the screws so that it hangs securely on the wall.

For clarity, the illustration below shows only the wall mount bracket. In actual use, the bracket is attached to the phone before mounting it on the wall.



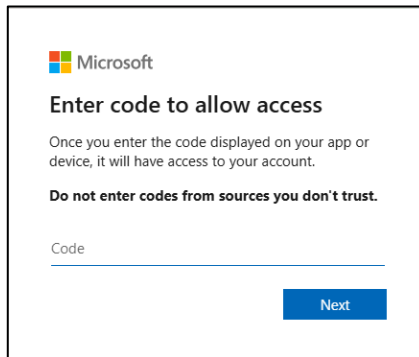
5. Signing in

To sign in with your username and password:

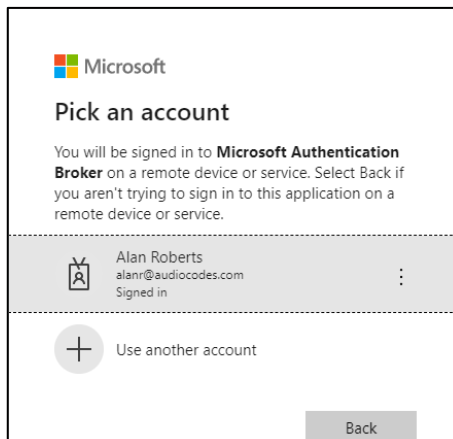
1. After connecting the phone to the network, it starts up and the following is displayed:



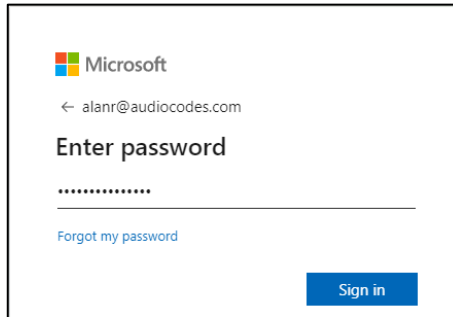
2. Open your web browser and navigate to <https://microsoft.com/devicelogin>.



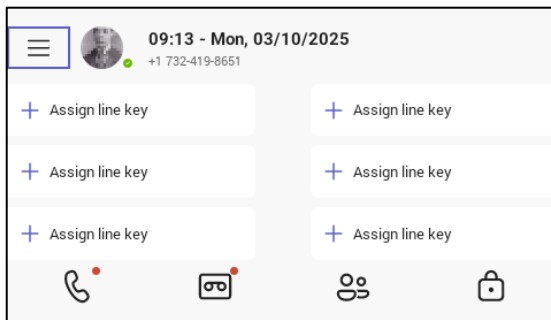
3. Enter the code provided by the phone, and then click **Next**.
4. In the 'Pick an account' screen, double-click your account name (or click + to use another).




5. Enter your password (same as the password for your PC), and then click **Sign in**.

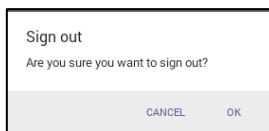
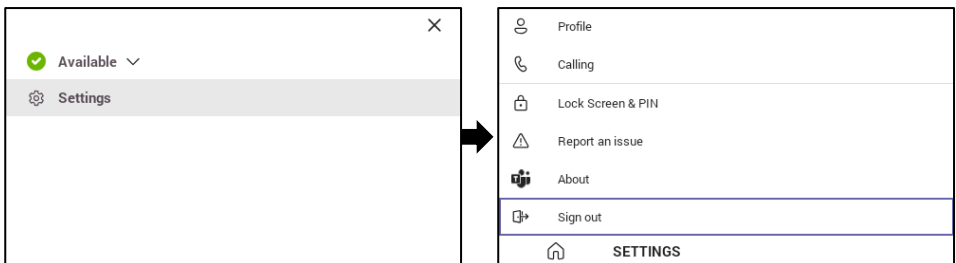


6. Navigate to and select **Got it**; the 'home' screen is displayed and you've successfully signed in to the phone.



To sign out:


1. Navigate to and select , navigate to **Settings** and then the **Sign out** option.

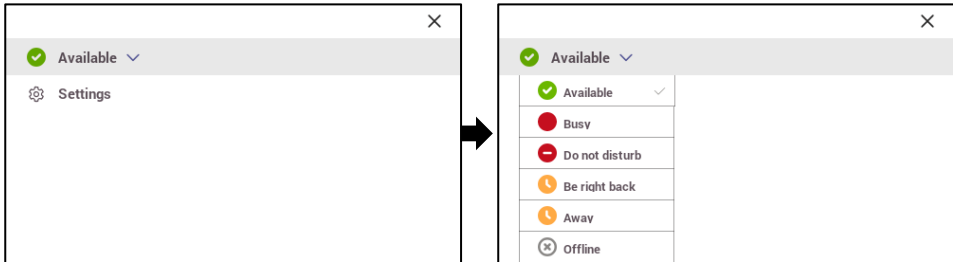


2. Navigate to and select **OK**; you're signed out of the phone.

6. Changing your Presence Status

 To change your presence status:

1. Navigate to and select  and then navigate to and select the current presence status displayed (**Available** in the figure below).



2. Navigate to and select the status you want.

7. Basic Phone Operations

For basic phone operations, refer to Microsoft and AudioCodes' documentation.

8. Warnings

FCC Caution

Part 15.21
Any Changes or modifications not expressly approved by the party responsible for compliance could void the user's authority to operate the equipment.

Part 15.19
This device complies with part 15 of the FCC Rules. Operation is subject to the following two conditions: (1) This device may not cause harmful interference, and (2) this device must accept any interference received, including interference that may cause undesired operation.

Part 15.105
Note: This equipment has been tested and found to comply with the limits for a Class B digital device, pursuant to part 15 of the FCC Rules. These limits are designed to provide reasonable protection against harmful interference in a residential installation. This equipment generates, uses and can radiate radio frequency energy and, if not installed and used in accordance with the instructions, may cause harmful interference to radio communications. However, there is no guarantee that interference will not occur in a particular installation. If this equipment does cause harmful interference to radio or television reception, which can be determined by turning the equipment off and on, the user is encouraged to try to correct the interference by one or more of the following measures:

- ✓ Reorient or relocate the receiving antenna.
- ✓ Increase the separation between the equipment and receiver.
- ✓ Connect the equipment into an outlet on a circuit different from that to which the receiver is connected.
- ✓ Consult the dealer or an experienced radio/TV technician for help.

FCC RF Radiation Exposure Statement

1. This Transmitter must not be co-located or operating in conjunction with any other antenna or transmitter.
2. This equipment complies with RF radiation exposure limits set forth for an uncontrolled environment.
3. This equipment should be installed and operated with minimum distance 20cm between the radiator& your body.

User manuals for license-exempt radio apparatus shall contain the following or equivalent notice in a conspicuous location in the user manual or alternatively on the device or both.

This device complies with Industry Canada license-exempt RSS standard(s). Operation is subject to the following two conditions:
(1) this device may not cause interference, and
(2) this device must accept any interference, including interference that may cause undesired operation of the device.

Le présent appareil est conforme aux CNR d'Industrie Canada applicables aux appareils radio exempts de licence. L'exploitation est autorisée aux deux conditions suivantes :

- (1) l'appareil n' doit pas produire de brouillage, et
- (2) l'utilisateur de l'appareil doit accepter tout brouillage radioélectrique subi, même si le brouillage est susceptible d'en compromettre le fonctionnement.

Radio apparatus containing digital circuitry which can function separately from the operation of a transmitter or an associated transmitter, shall comply with ICES-003. In such cases, the labelling requirements of the applicable RSS apply, rather than the labelling requirements in ICES-003. This Class B digital apparatus complies with Canadian ICES-003.

Cet appareil numérique de la classe B est conforme à la norme NMB-003 du Canada.

IC SAR Warning

This equipment should be installed and operated with minimum distance 20 cm between the radiator and your body.

Lors de l' installation et de l' exploitation de ce dispositif, la distance entre le radiateur et le corps est d' au moins 20 cm.

Notice Information

Information contained in this document is believed to be accurate and reliable at the time of publishing. However, due to ongoing product improvements and revisions, AudioCodes cannot guarantee accuracy of published material after the Date Published nor can it accept responsibility for errors or omissions. Updates to this document can be downloaded from <https://www.audiocodes.com/library/technical-documents>.

This document is subject to change without notice.

Date Published: May-06-2025

Document #: LTRT-13440

